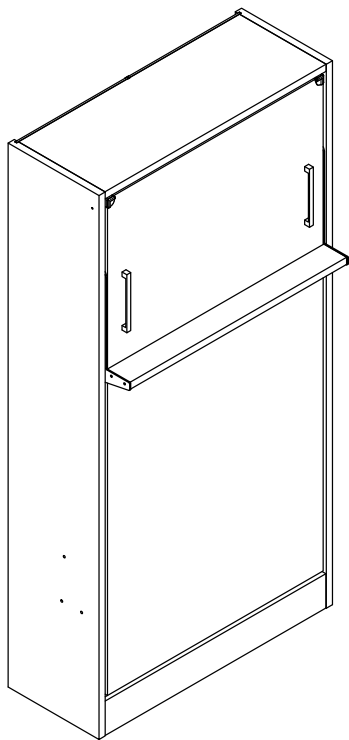




# MULTIMO

## A 514- ROYAL TWIN BED



**55** min.



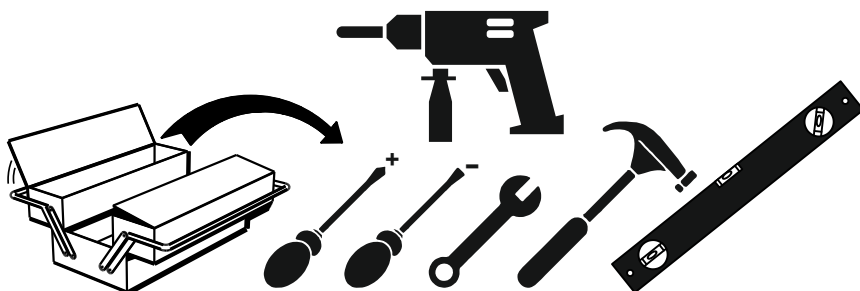
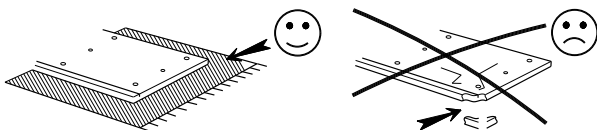
Technical Service



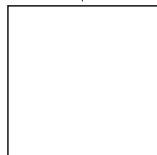
**100** min.



End User



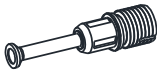


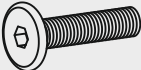
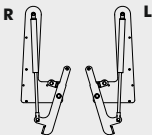
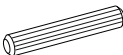

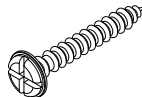

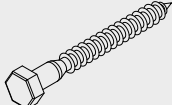
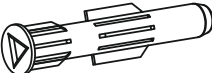

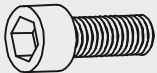
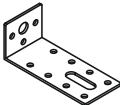


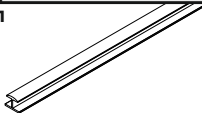

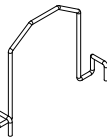




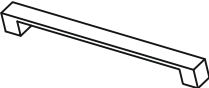
VIDEO

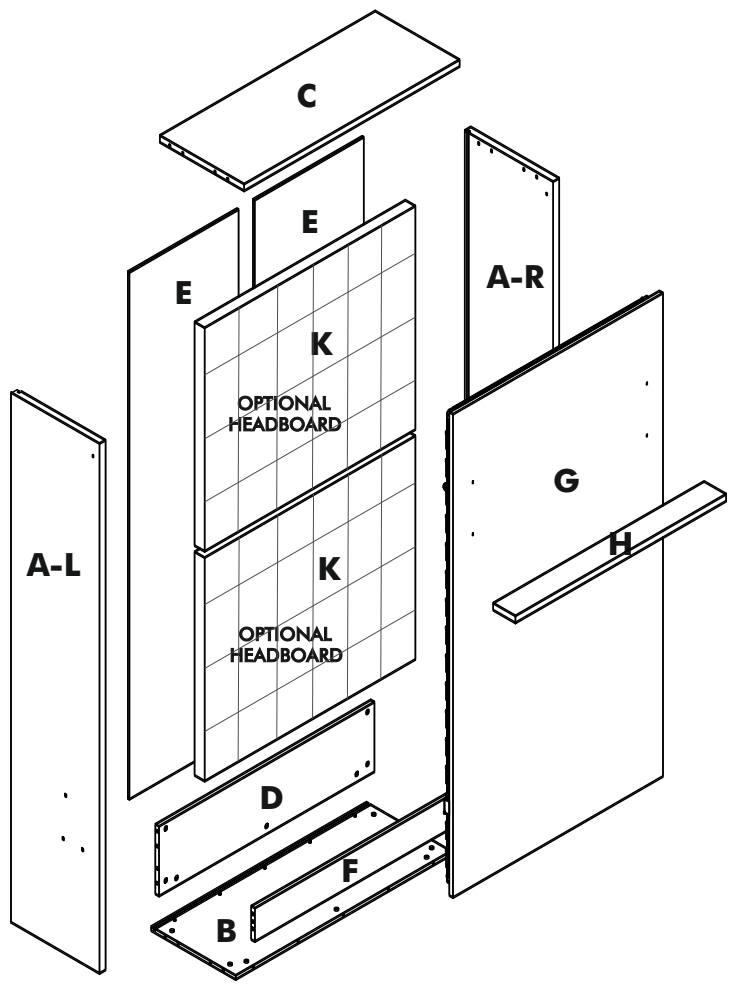


link


Track Title	Piece	(inch)			(mm)			
		Thickness	Length	Width	Piece	Thick	Height	Most
<b>A</b>	2	1,18	89,76	17,32	2	30	2280	440
<b>B</b>	1	0,71	42,13	16,54	1	18	1070	420
<b>C</b>	1	1,18	42,13	16,50	1	30	1070	419
<b>D</b>	1	0,71	42,13	11,81	1	18	1070	300
<b>E</b>	2	0,31	89,25	21,34	2	8	2267	542
<b>F</b>	1	0,71	42,13	5,67	1	18	1070	144
<b>G</b>	1	0,71	81,89	41,10	1	18	2080	1044
<b>H</b>	1	1,18	41,26	4,33	1	30	1048	110
<b>K (OPTIONAL HEADBOARD)</b>	2	1,97	37,87	41,93	2	50	962	1065

## Accessories List

<b>MNX 02</b>  22 / piece	<b>MNG - 01</b>  22 / piece	<b>OT-054</b>  2 / piece	<b>CT - 01 ( 6x40 ) mm</b>  2 / piece
<b>MKZ - 03</b>  1 / piece	<b>KVL 01</b>  22 / piece	<b>VDA - 01 ( 6,5x50 ) mm</b>  4 / piece	<b>VD - 02 (3,5x25) mm</b>  22 / piece
<b>PL - 02 (8x22x1) mm</b>  2 / piece	<b>TFC - 01(8x70) mm</b>  2 / piece	<b>DD - 01 ( R10 )</b>  2 / piece	<b>VTB - 01 (4,8x16) mm</b>  8 / piece
<b>IM - 01 (6x30) mm</b>  6 / piece	<b>DSE - 01 (40x90x32) mm</b>  2 / piece	<b>TAP - 01</b>  22 / piece	<b>TAP - 02</b>  4 / piece
<b>H 01</b>  1 / piece	<b>VKP - 01 (22) mm</b>  4 / piece	<b>TTC 01</b>  3 / piece	<b>SC - 92</b>  2 / piece
<b>SG - 01</b>  2 / piece	<b>OT-056D</b>  2 / piece	<b>AVT - 01</b>  6 / piece	<b>KP - 01 ( 224 ) mm</b>  2 / piece




**AL - 02 (5MM)**




1 / piece

**AL - 01 (4MM)**



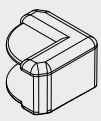
1 / piece

**VTB - 02 (4,2x16) mm**



8 / piece

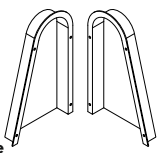
**KKS - 01**



2 / piece

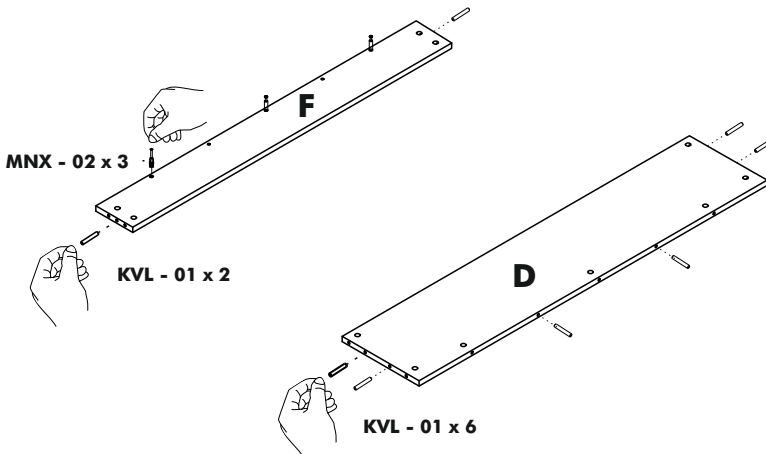
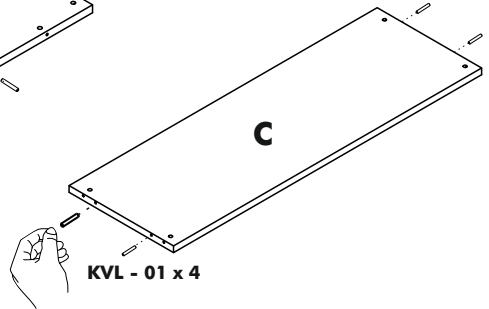
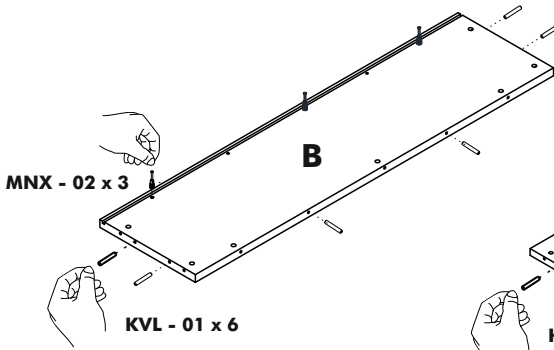
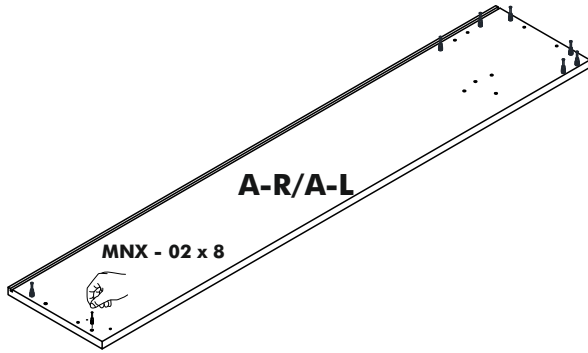
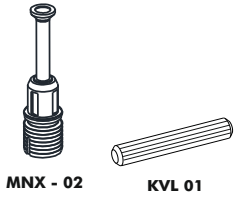
---

**KMT-01**

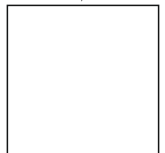


1 / piece

STEP 1

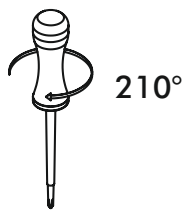


VIDEO

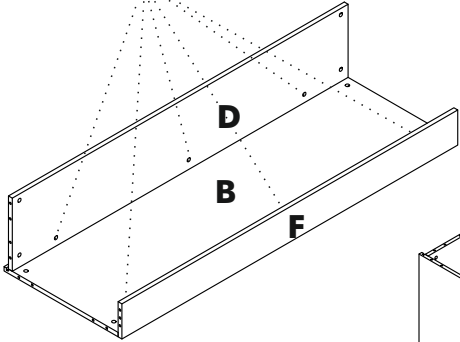


link

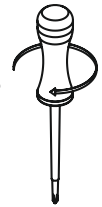
**STEP 2**



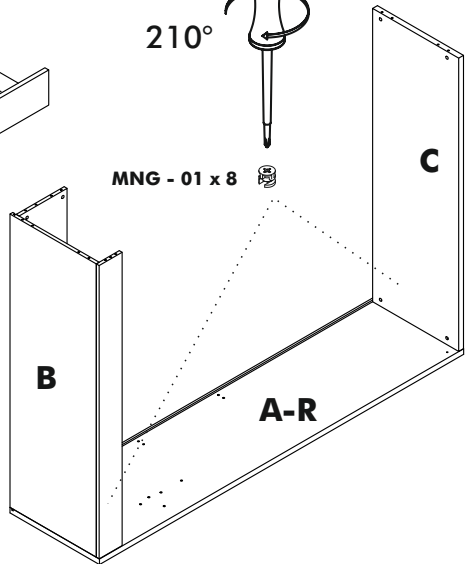
MNG - 01 x 6



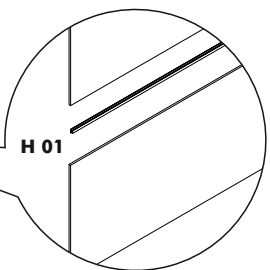
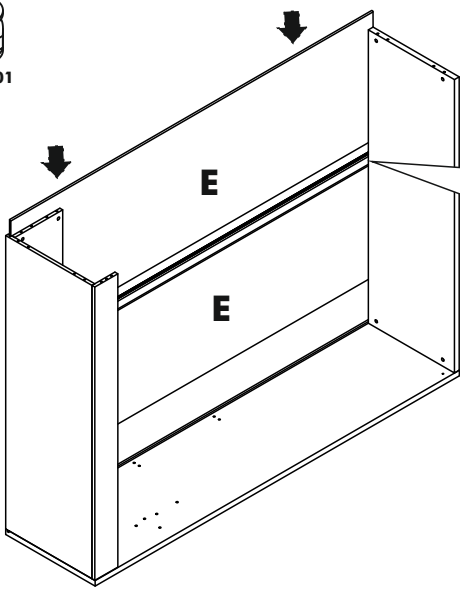
210°



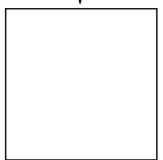
MNG - 01 x 8



**STEP 3**

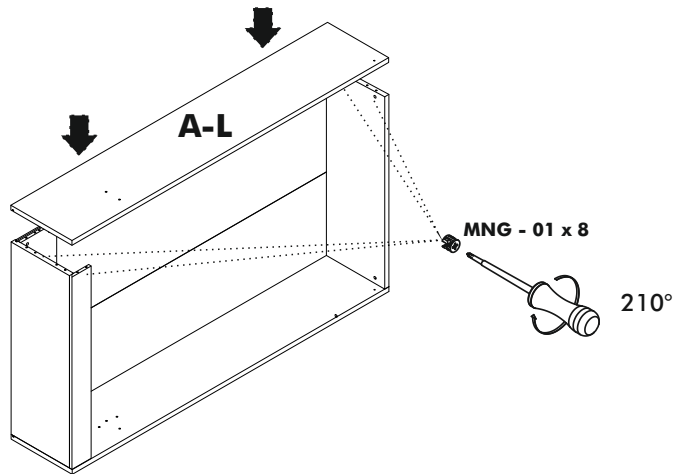


**VIDEO**

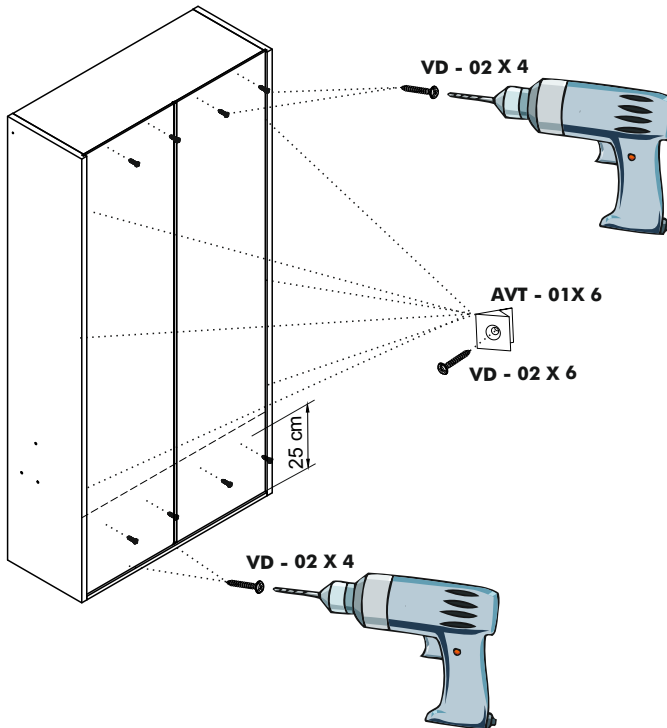


link

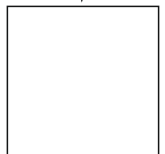
**STEP 4**



**STEP 5**



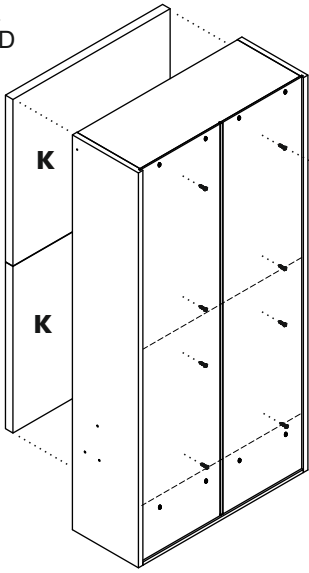
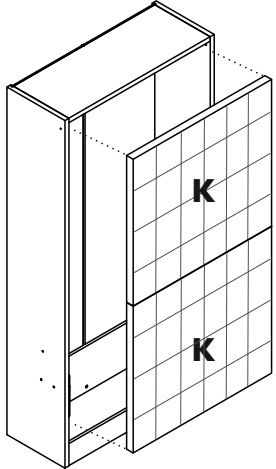
**VIDEO**



link

**STEP 6**

**OPTIONAL HEADBOARD**



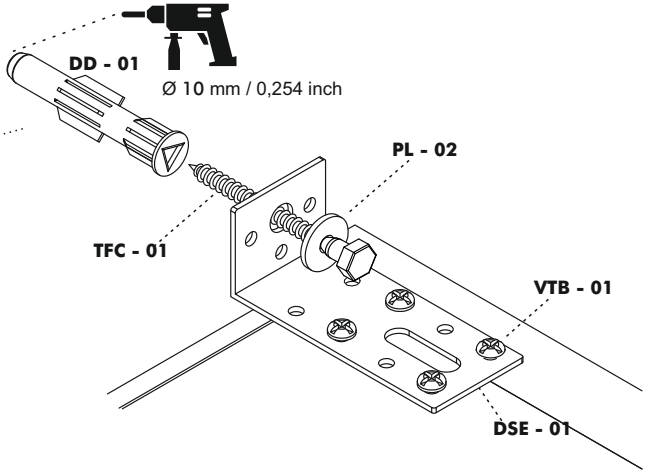
VD - 02x8



**ATTENTION!!!**

Must be secured to the wall made of brick, concrete or similarly strong material.  
 Mounting to wooden or metal studs is also acceptable.  
 Do not mount directly to sheetrock or paper-mache type walls not supported by studs.

**STEP 7**



DD - 01

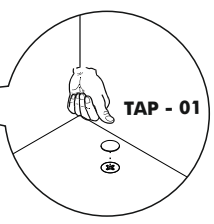
Ø 10 mm / 0,254 inch

PL - 02

TFC - 01

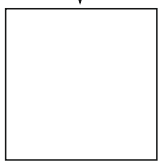
VTB - 01

DSE - 01



TAP - 01

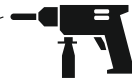
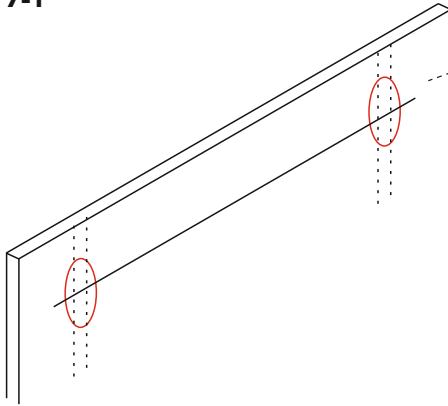
**VIDEO**



link

# WALLS MADE OF DRYWALL WITH WOODEN OR METAL STUDS

## STEP 7-1



Ø 10 mm / 0,254 inc

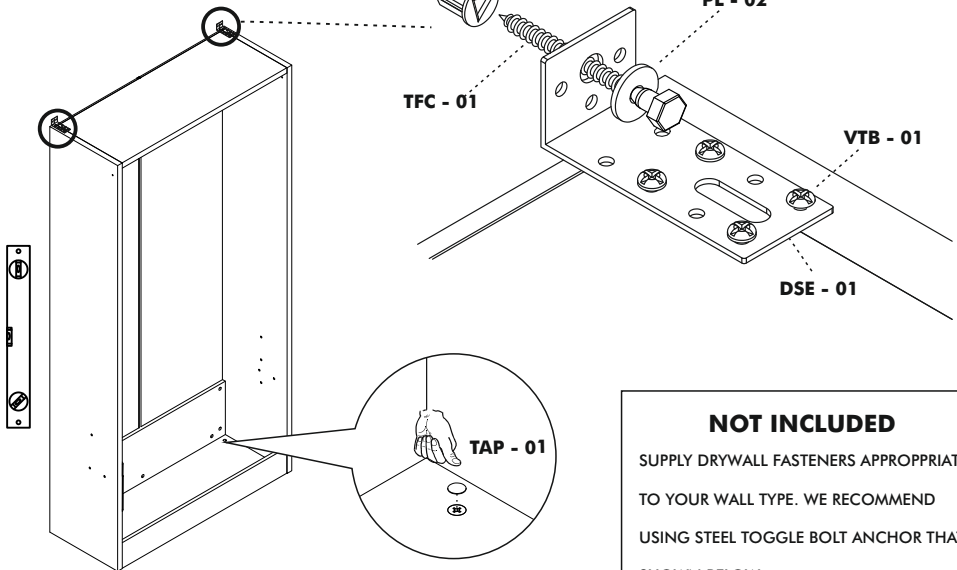


FIRST LOCATE THE STUDS BY USING "STUD FINDER" IN THE WALL AND DRILL IT ACCORDING TO THE HEIGHT MEASUREMENTS GIVEN ON THE SIDE.  
UPPER HOLES SHOULD BE DRILLED FOR ATTACHING BED AT NEXT STEP.



DD - 01

Ø 10 mm / 0,254 inch



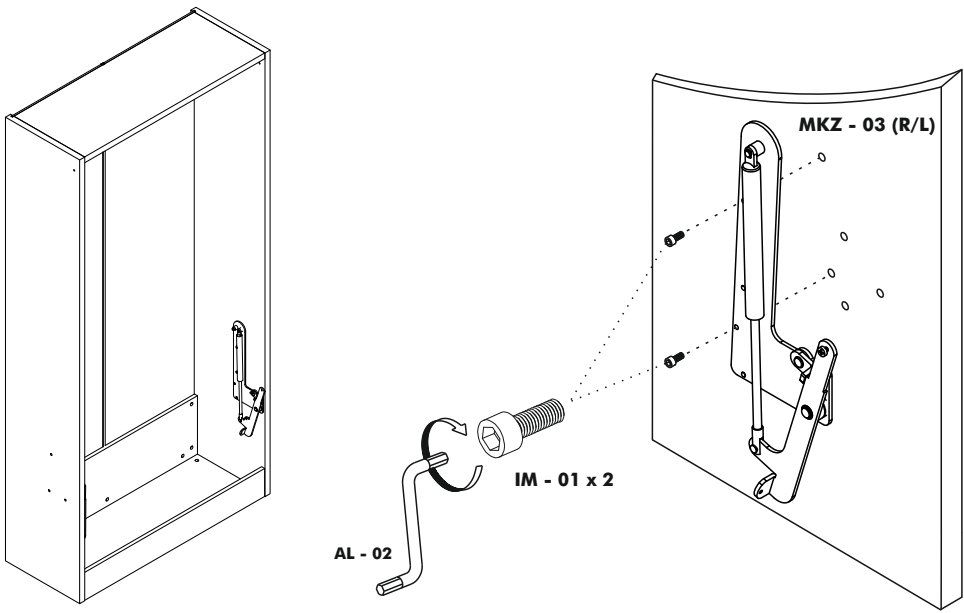
### NOT INCLUDED

SUPPLY DRYWALL FASTENERS APPROPRIATE TO YOUR WALL TYPE. WE RECOMMEND USING STEEL TOGGLE BOLT ANCHOR THAT SHOWN BELOW

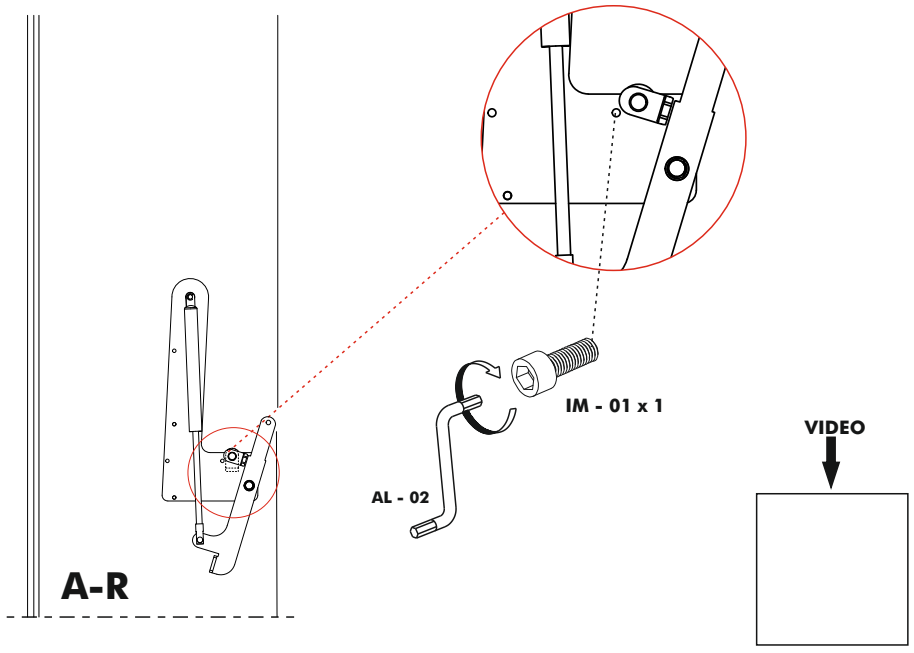




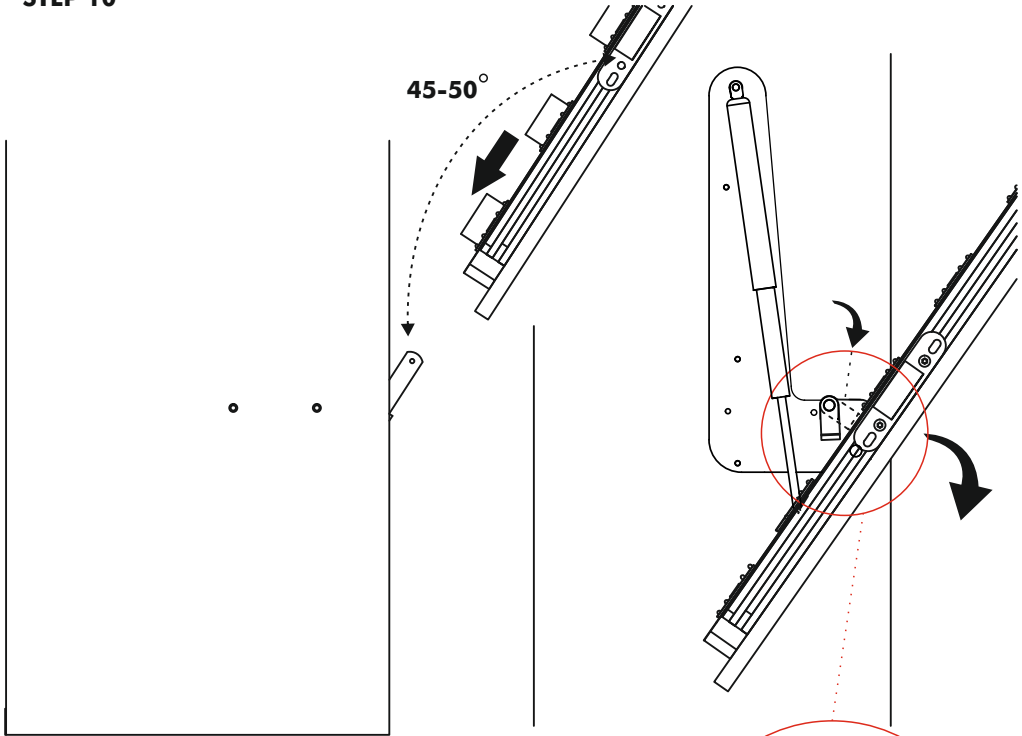
**STEP 8**



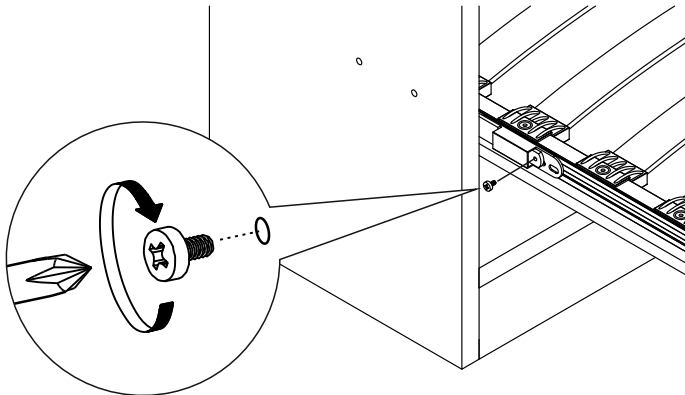
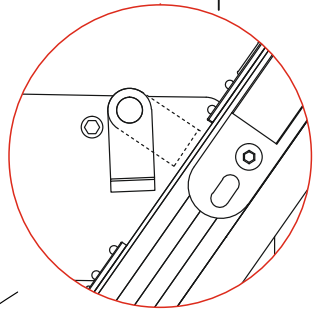
**STEP 9**



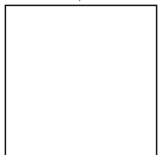
STEP 10



**LET THE STOPPER LOCK MOVE DOWN !!!**

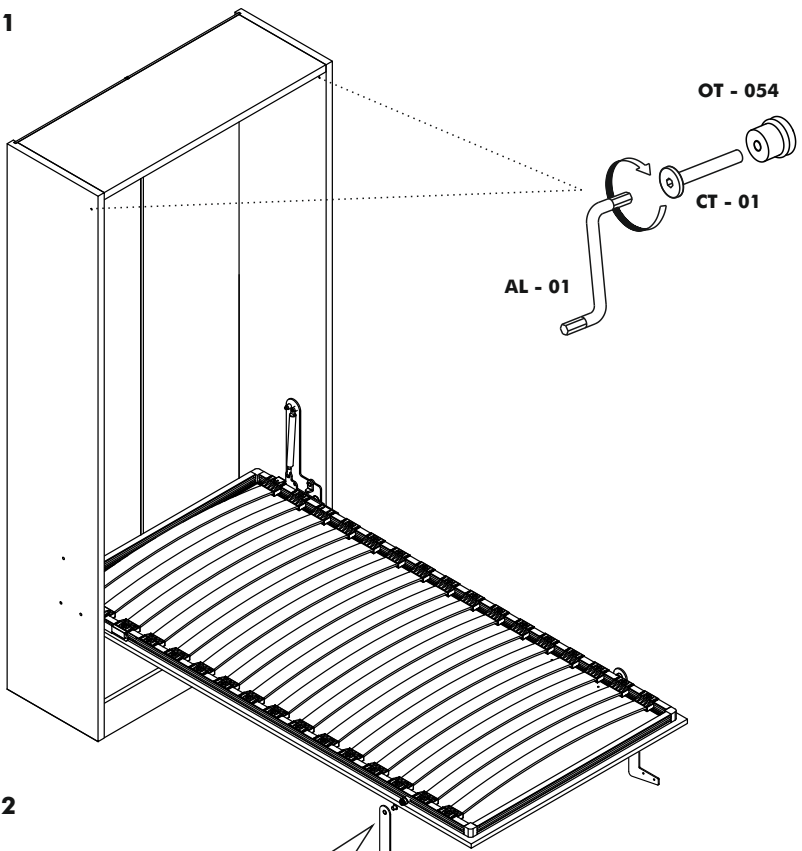


VIDEO

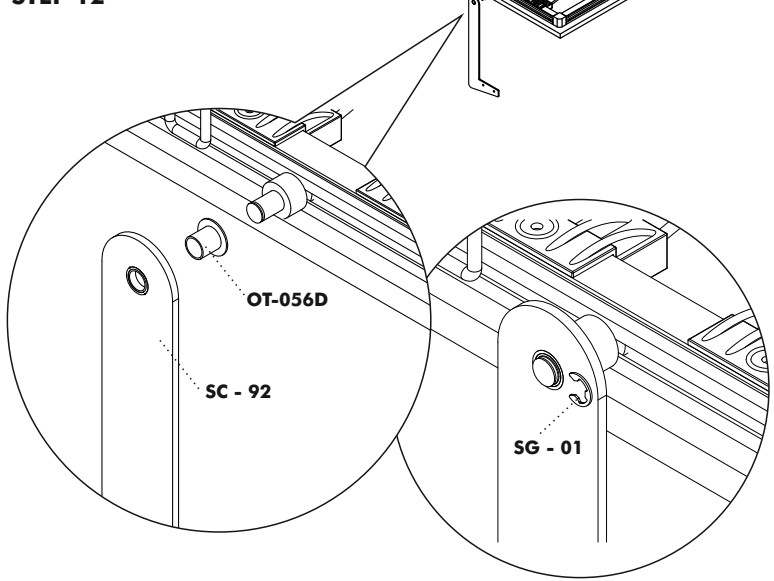


link

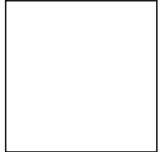
**STEP 11**



**STEP 12**

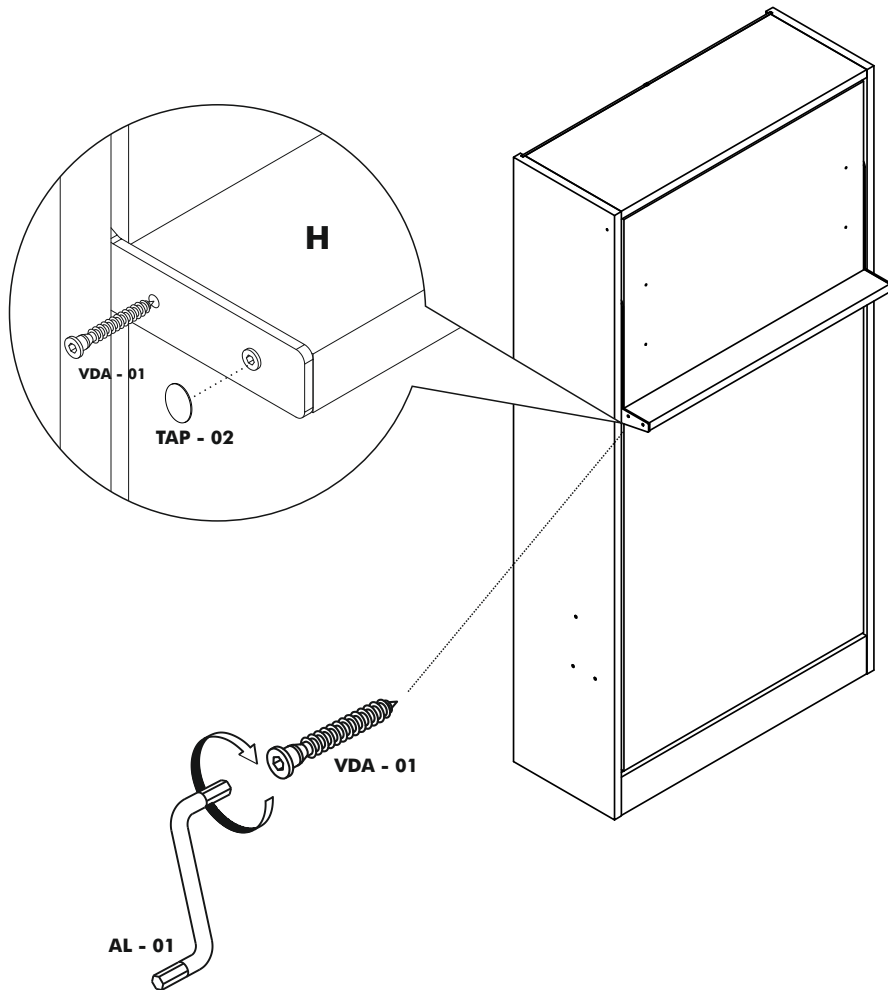


**VIDEO**

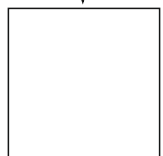


link

STEP 13

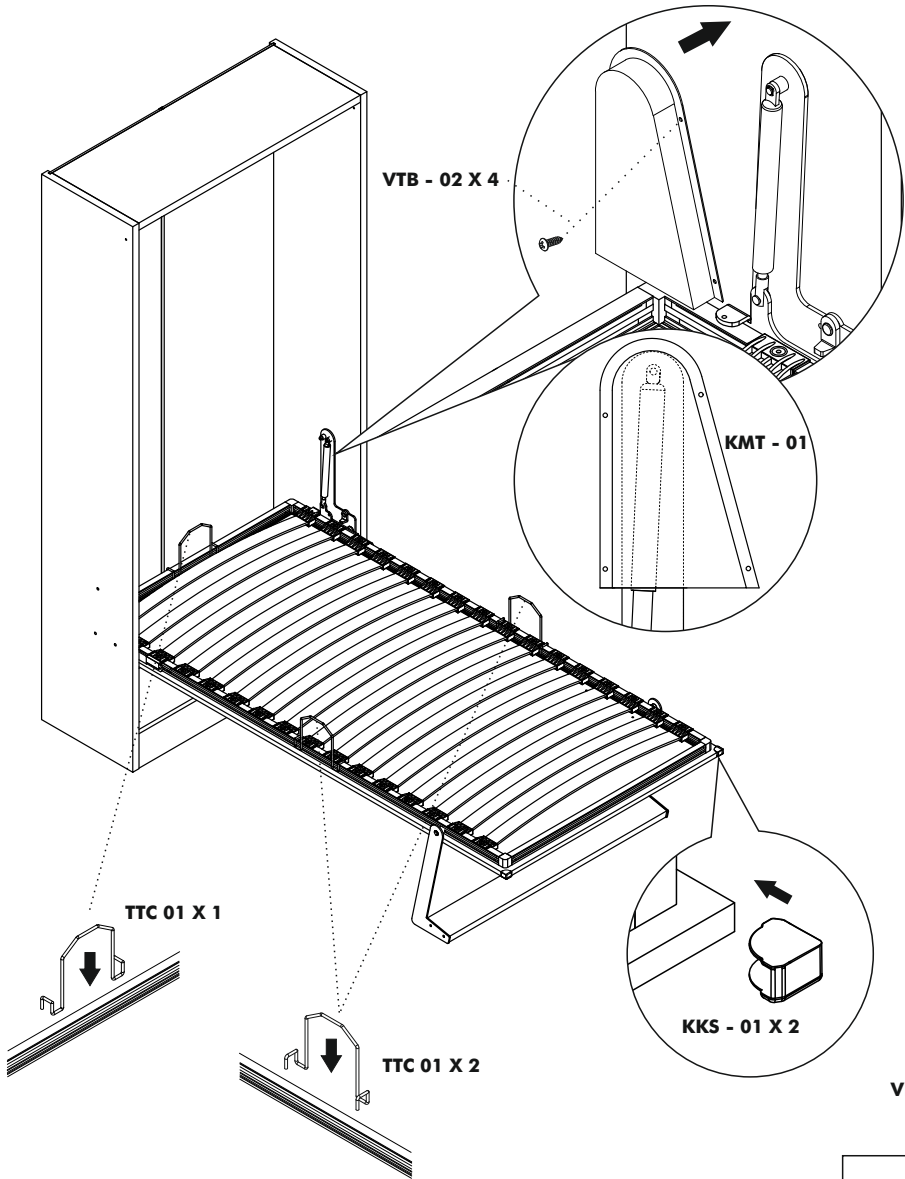


VIDEO

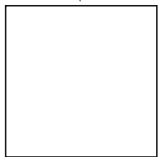


link

**STEP 14**

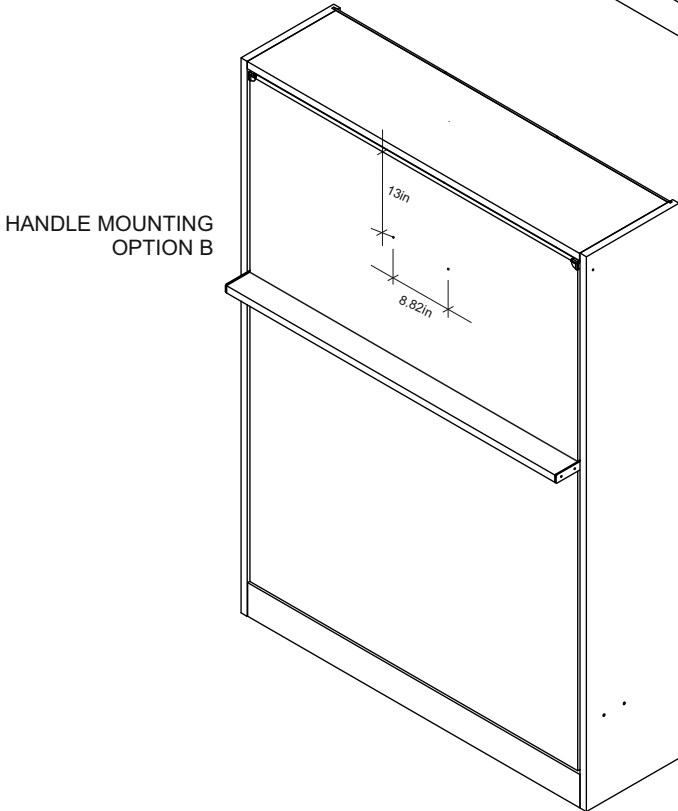
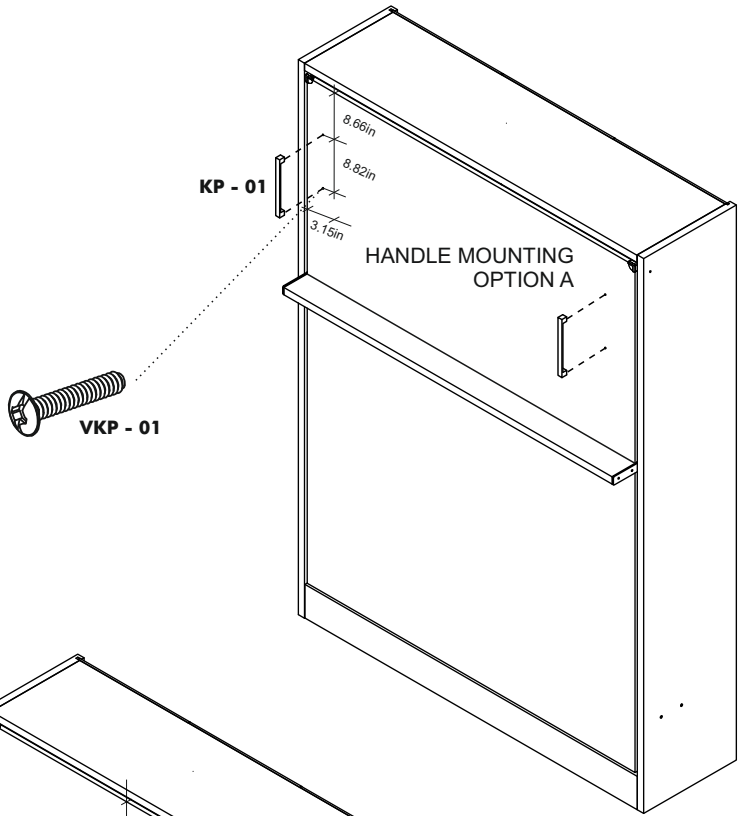


**VIDEO**

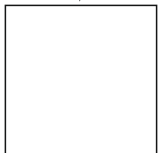


link

STEP 15



VIDEO



link

1. Wall beds must be securely attached to the wall. Hardware for mounting to concrete, brick or similar strong material is included.
2. When mounting to drywall, wall beds must be attached to wooden or metal studs in 2 or 3 points. Do not mount wall beds directly to drywall or paper-mache type wall without properly attaching it to studs. Please choose appropriate fasteners for the type of wall the bed will be mounted on. Drywall mounting hardware is not included.
3. For safety and product longevity you must periodically inspect the integrity and tightness of the mounting and mechanical connections. Confirm hardware remains properly affixed and connections are snug.
4. Do not lean or rest heavy objects on sides or top of furniture. This may cause balance issues and compromise the integrity of your mounting connections.
5. Please use wall beds and integrated shelves, desks and sofas as intended. Do not jump and/or exceed supported weight limits. Do not sit or lean on integrated shelves and desks. Improper use may cause personal injury and damage to property.
6. With seasonal humidity change please inspect the interior and exterior of the furniture for deformation and/or discoloration.
7. Before any un-mounting or disassembly please contact Multimo Beds for technical support and instructions. Failure to properly detach may result in personal injury and damage to property.



## WARNINGS

### IMPORTANT! HAZARD WARNING!

All Wall Beds contain sophisticated and powerful lifting mechanism. Failure to follow assembly and installation instructions may result in **severe personal injury and damage of the product.**

### SECURE RIGIDLY TO A WALL!

Improper attaching wall bed to a wall will create a tip-over hazard and may result in severe personal injury or even death. **ONLY qualified installers should install or remove a wall bed.**



## WARRANTY

### RETAIL RESIDENTIAL TERM

Lifetime guarantee on hardware.  
**5 year** structural guarantee on cabinetry.

### COMMERCIAL TERM

Lifetime guarantee on hardware.  
**2 year** structural guarantee on cabinetry.



[www.multimobeds.com](http://www.multimobeds.com)